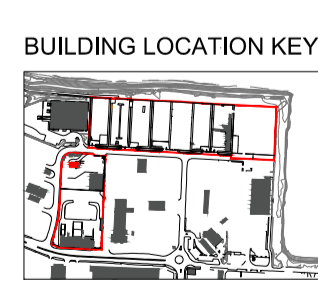
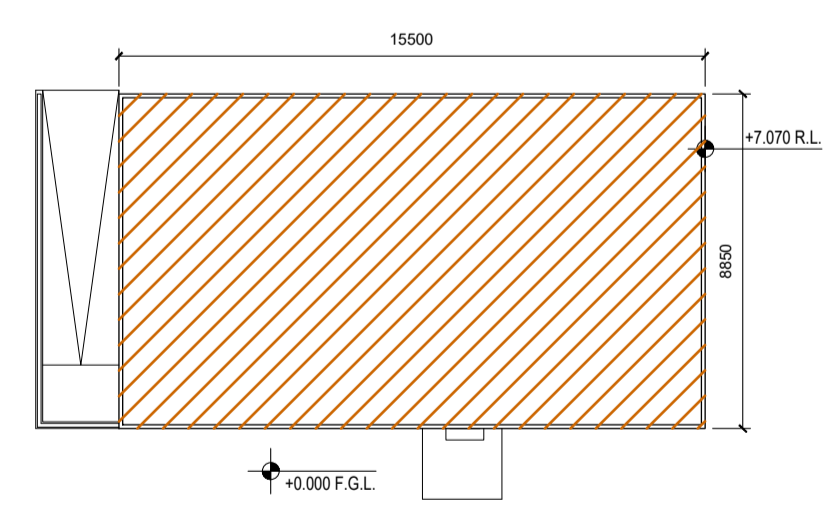
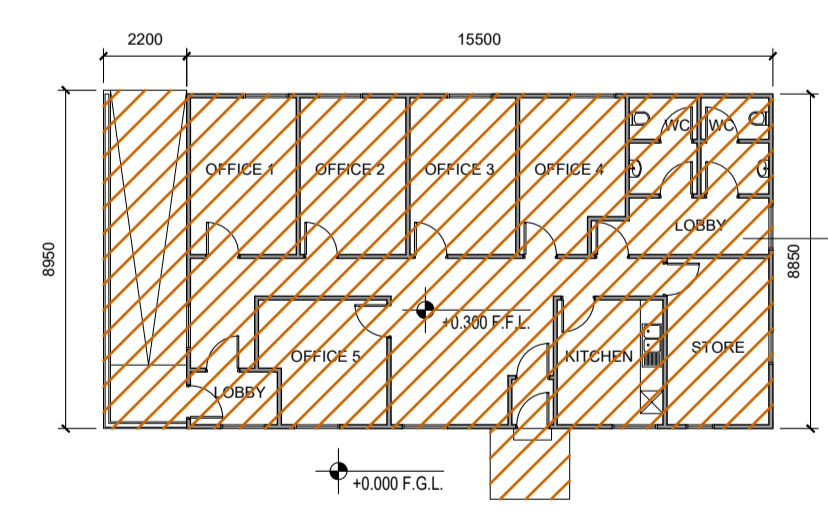
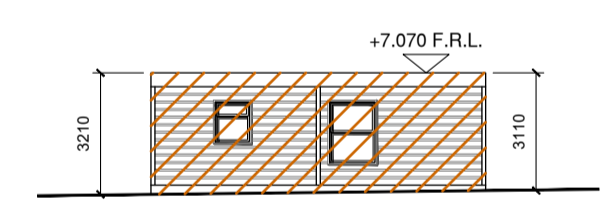
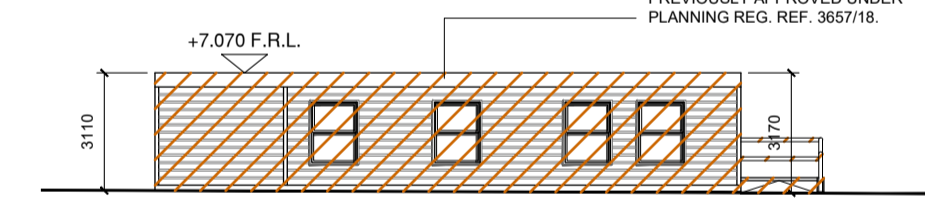
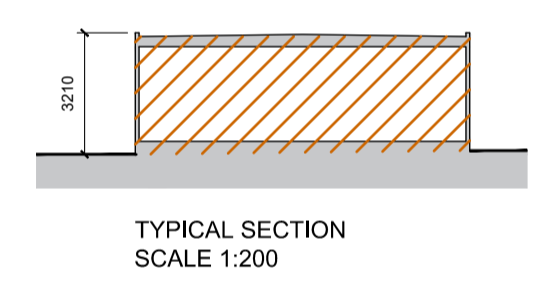
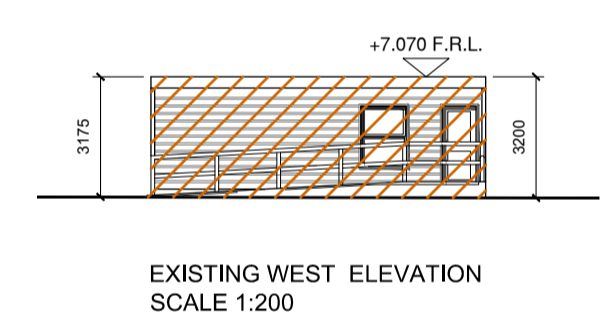
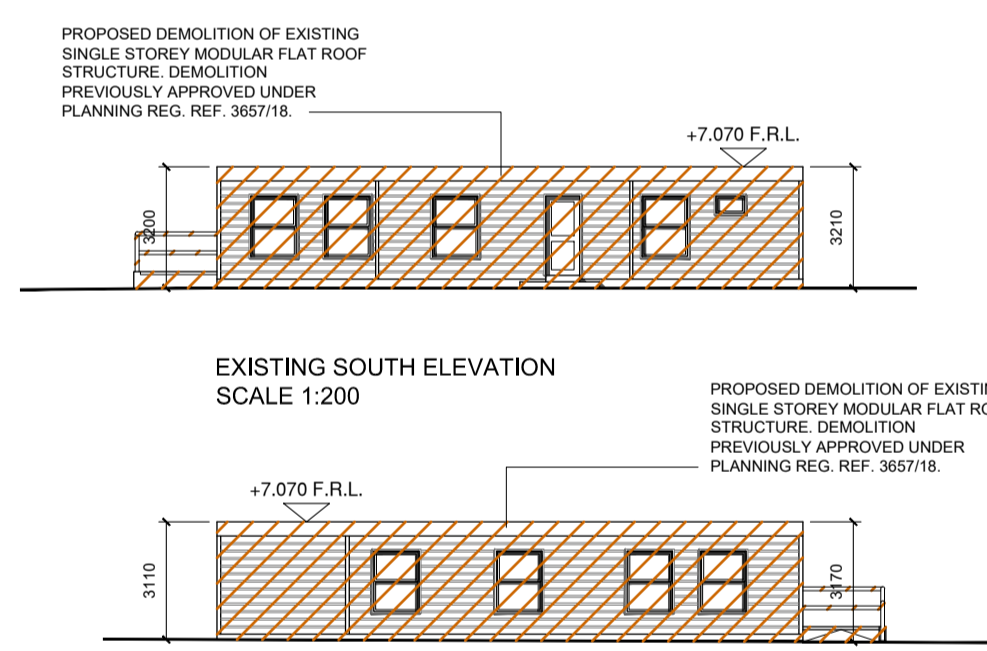
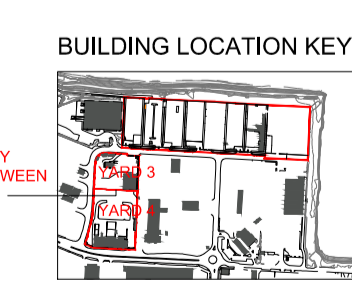
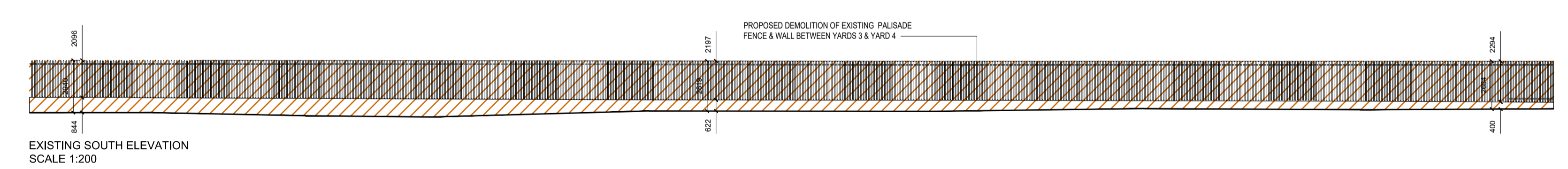
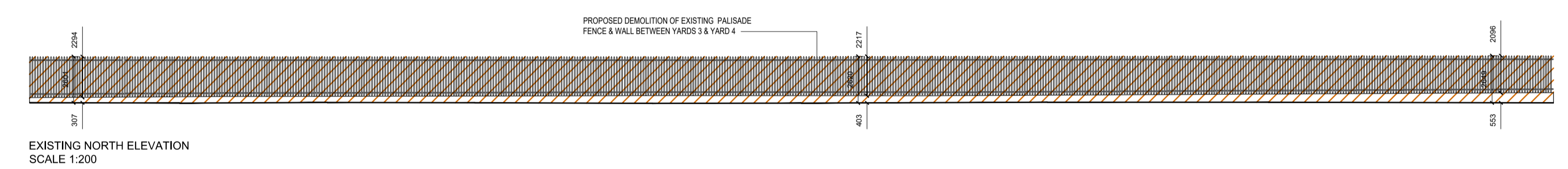


# BORD NA MONA STORAGE FACILITY



# BORD NA MONA OFFICE BUILDING



# BOUNDARY WALL BETWEEN YARD 3&4

**LEGEND**

PROPOSED DEMOLITIONS

ALL DIMENSIONS IN MILLIMETRES UNLESS OTHERWISE NOTED

Architectural Services	State / Principal Architect	Design Team	Drawing Revisions	Drawing Title	Project Title
OPW Dublin, 52, St. Stephen's Gn, D2, Telephone: (01) 647 6000 LoCall: 1890 213414 Website: www.opw.ie	Ciarán O'Connor, FRIAI, State / Principal Architect Director of Architectural Services	Cliodhna Rice - MRIA Senior Architect Conor O'Donnell - MRIA Sarah Heery - MRIA Donal McIntyre - Graduate Architect	REF DESCRIPTION A REV: B REV: C REV: D REV: E REV:	Yard 3 Structures for Demolition Existing Plans, Elevations & Section	Brexit Infrastructure at Dublin Port Dublin Port, Dublin 3
	Charles Moore, MRIA Head of Brexit Unit		DATE:	DRAWN CHECKED SCALE DATE	PROJECT NO. STATUS NUMBER REV.
				COD CR 1:200 @A3 May 2020	A.20.001 EIAR 10-101

